

LOW PIM – MULTIPLE FIT SMART QUICK-FIT 1 5/8" Connectors



Features

- Rugged two-piece design
- Multi-brand cable compatibility
- Excellent RF performance and lowest possible PIM
- Waterproof IP 68

Benefits

- Quick and easy field installation
- Small size and low weight
- Simplified logistics
- Tooling support for easy sawing and flaring

Connector data



Fig. 1
Type 11_716-50-42-4
Item no. 84079343

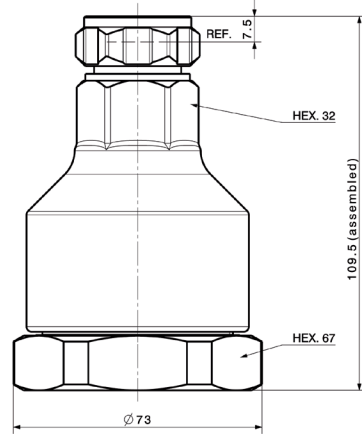
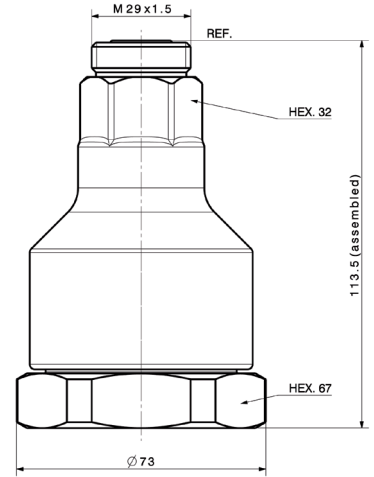


Fig. 2
Type 21_716-50-42-4
Item no. 84079305



Technical data

Electrical data	
Impedance	50 Ω
Frequency range	DC to 7.5 GHz
Return loss/VSWR	≥30 dB (f ≤2.6 GHz)
Passive intermodulation (PIM)	≤ -15.5 dBc (2 x 43 dBm carrier)

Environmental data	
Temperature range	-40 °C to +85 °C, operating
IP rating	IP 68 (acc. to IEC 60529, 1 m/24h)

Material data	Material	Plating
Cable entry	Brass	SUCOPLATE®
Connector head	Brass	SUCOPLATE®
Outer contact	Brass	SUCOPLATE®
Centre contact	Spring bronze / Brass	Silver

Flaring tool

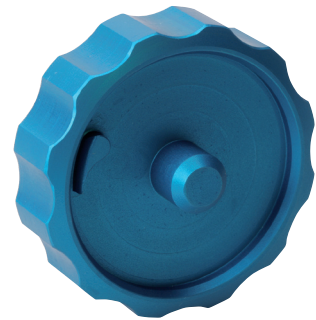


Fig. 3
Type 74_Z-0-42-15
Item no. 84085074

Cable compatibility list

Corrugated Cables				
HUBER+SUHNER SUCOFEED	DRAKA NK CABLES	EUPEN MICROCELL	HANSEN HANSEN	RFS CELLFLEX
SUCOFEED_1_5/8_LA	RFA 1 5/8"-50	EC7-50A	RF50 1-5/8" L	LCF158-50A
SUCOFEED_1_5/8_LW_LA			RF50 1-5/8" LAL	LCF158-50L

HUBER+SUHNER is certified according to ISO 9001, ISO 14001, ISO/TS 16949 and IRIS.

WAIVER

It is exclusively in written agreements that we provide our customers with warrants and representations as to the technical specifications and/or the fitness for any particular purpose. The facts and figures contained herein are carefully compiled to the best of our knowledge, but they are intended for general informational purposes only.

HUBER+SUHNER AG
Radio Frequency Division
9100 Herisau/Switzerland
Tel. +41 71 353 4111
Fax +41 71 353 4590
info@hubersuhner.com

